

Dugite Padlockable Removable Bollard



Dugite Removable bollards help protect property and buildings whilst having the flexibility of easy removal for unrestricted access. Securely locked in place by padlock these removable bollards have been used by Shire Councils in their Parks and Gardens for over 20 years.

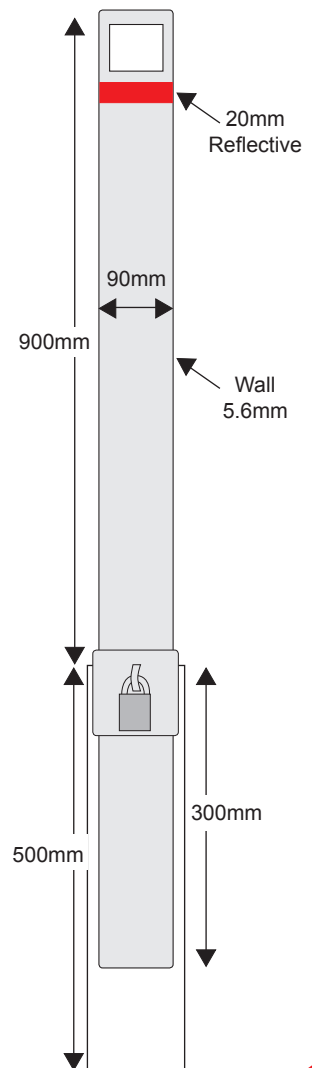
SPECIFICATION

- Bollard post 90mm square x 1.15m long x 5.6mm wall thickness.
- Ground sleeve is 500mm long for strength in sandy soils.
- Finish: Galvanised steel, primed and powder coated white with red reflectors.

FEATURES

- Inexpensive
- Help stop illegal access
- Hardened locking pin prevents hack sawing
- Heavy duty 5.6mm wall resists ramming
- Heavy duty Carbine padlocks available
- Standard powder coated white with red reflector
- Accessories: Storage stands, padlocks

The locking plate is hinged to cover the hole when the bollard post is removed.



TO ORDER:

IB89RS/PL-IG Removable bollard
IB89RS/PL-SS Storage sleeve
Carbine - 9mm shank Carbine padlock

* Installation spec may change job to job depending on level of security